

Libero Line Series Griddle

ITEM # _____

MODEL # _____

PROJECT NAME # _____

SIS # _____

AIA # _____



Libero Line Series Griddle

601601 (EDRLU) Griddle - 208 V/1p/60Hz

Short Form Specification

Item No. _____

Unit shall be Electrolux freestanding tabletop design Griddle. One-piece seamless 304 stainless steel construction with a sealed, stainless steel cooking surface. Unit shall have a digital temperature display and touch button control panel. Unit shall operate on 208 volt single-phase electrical power with cord and plug included.

Main features

- Table top design, front-to-back model.
- Heavy duty, one-piece seamless, 304 AISI stainless steel construction.
- Completely sealed, stainless steel cooking surface for maximum protection of internal electrical components.
- 2.5 kW total power output.
- Frying plate with non-stick chromium surface.
- Integrated drain and grease collector with extractable drawer below the cooking surface.
- Smooth rounded edges guarantee a flush fit between units.
- Digital temperature display and touch button control panel.
- IPX4 water protection.
- Cord, plug and scraper included.
- Installed electric power: 2.1 kW.
- External dimensions:
 - Height: 7.2"
 - Depth: 23.6"
 - Width: 12.8"
- ETL electrical and sanitation listed.
- NEMA # : 6-20P.
- Shipping weight – 66 lbs.
- Net weight – 40 lbs.
- 2 year parts warranty, 1 year labor.



NEMA #: 6-20P

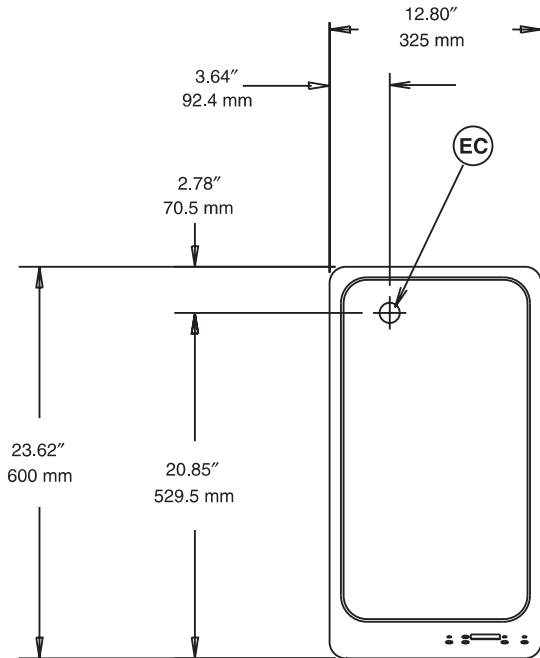
Approval: _____

Electric

Supply voltage:

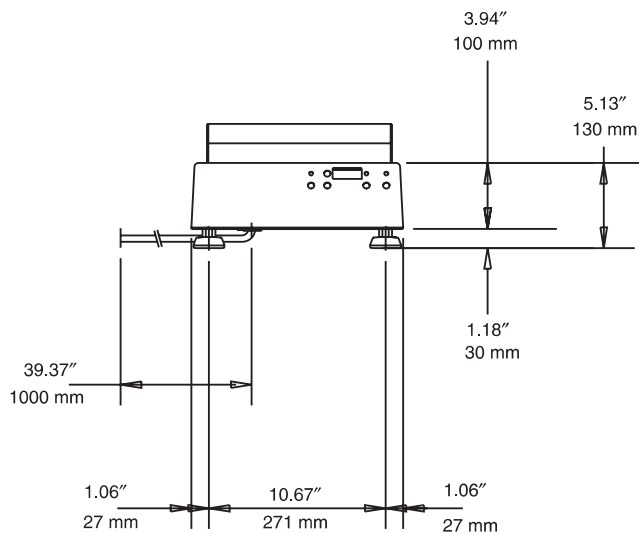
601601 (EDRLU) 208 V/1p/60Hz - 10A

Front View

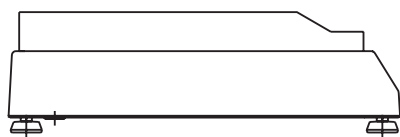


EC = Electrical connection

Top View



Side View



Libero Line Series
Griddle

The company reserves the right to make modifications to the products without prior notice. All information correct at time of printing.

4-27-09